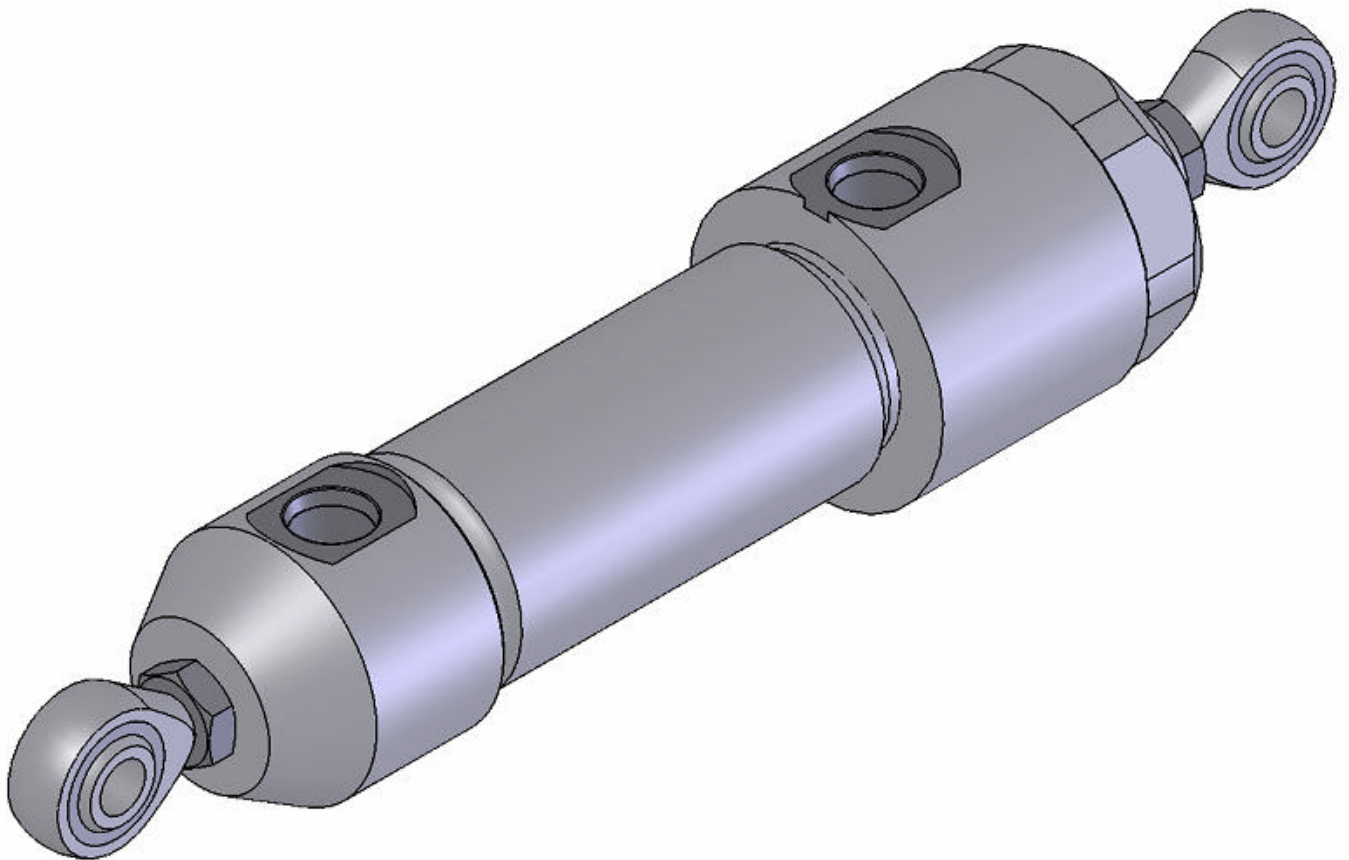




## Series SS Hydraulic Cylinder Stainless Steel



**Pressure:** 3,000 psi Working  
5,000 psi Non-Shock  
**Bore Sizes:** 1" to 2 7/8"  
**Rod Sizes:** 1/2" to 2"  
**Port:** #4 to #8 ORB  
**Attachments:** Spherical Bearings  
Clevis

## Series SS Cylinder

The Series SS is designed for the marine and food industries for maximum 3,000 psi working pressure. All exposed surfaces are SS316 for maximum corrosive resistance.

The rod is SS316 with 0.002" thick hard chrome. The hard chrome is to provide a hard surface for the rod seal and wiper to ride on.

The standard attachments for the rod end are metric, maintenance-free spherical bushing with male thread. The rod has a female thread, because the thread is the weakest link and if it breaks, it is considerably cheaper to replace the spherical rod end than purchasing a new rod. At the blind end, from 5/8 (20mm) diameter and smaller, the spherical bushing is threaded on and from 3/4 (25mm) and larger it is welded.

A stainless steel jam nut is used to lock the spherical bushing and to provide a small adjustments in length.

The spherical bushing reduces bucking of the rod, but is it the responsibility of the customer to select the proper rode size, stop tube, etc to avoid buckling.

Our usual model system applies:

Eg.

**SS 29-20.8-09-H5028**

Series SS

Bore Dash No.

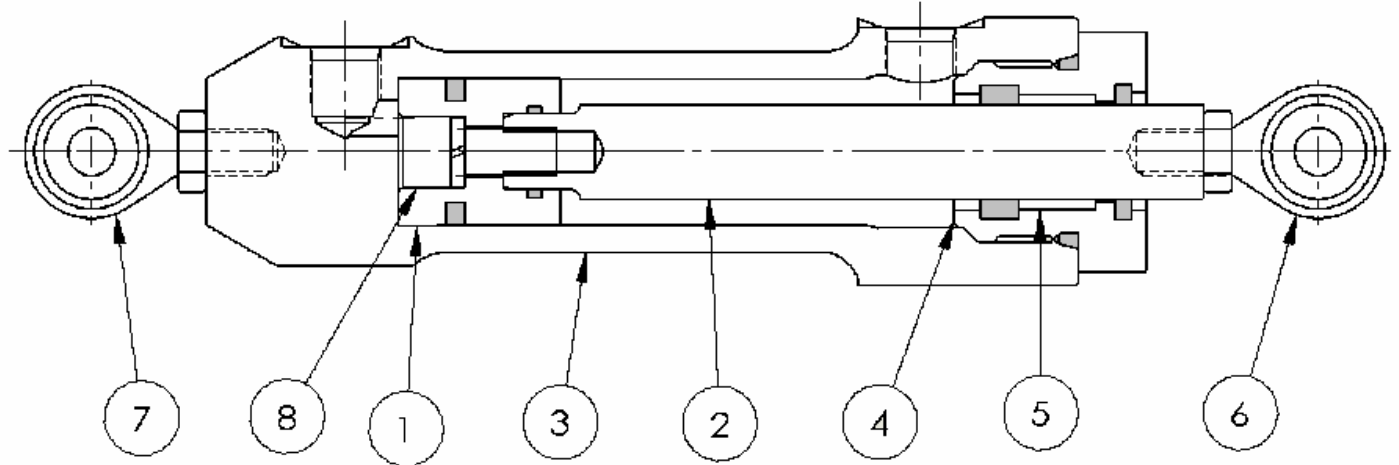
Stroke 20 <sup>3</sup>/<sub>4</sub> rounded to one

7/8 diameter rod x10 rounded to 2 significant figures

Drawing No. Provides additional details



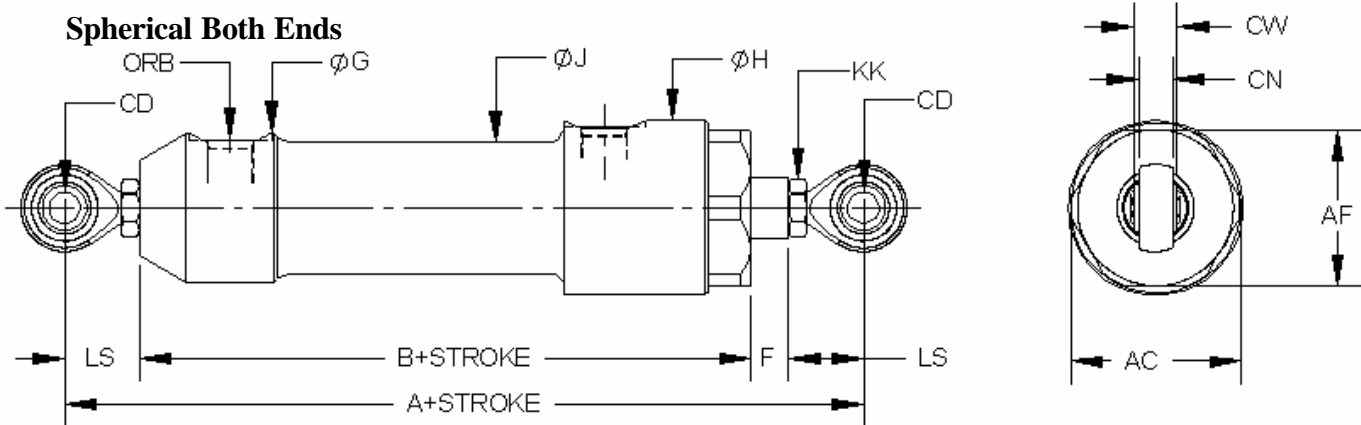
## Series SS Cylinder



PART NUMBER		ITEM 1	ITEM 2/3	ITEM 4	ITEM 5	ITEM 6	ITEM 7	ITEM 8	SHIPPING WEIGHT	
BORE	ROD	PISTON	ROD/ BARREL	GLAND	S/K	ROD BUSH- ING	BLIND BUSHING	SK HD CAP	BASE	lb/in STROKE
1	1/2	B4977-8	Part Number is Model number and Stroke Followed by: B for barrel R for rod	B4498-16-8		B3678-6	B3678-6-1	5/16-24	2	0.24
	5/8			B4498-16-10						0.28
1 1/4	5/8	B4977-10		B4498-20-10		B3678-7	B3678-7-1	7/16-20	4	0.34
	3/4			B4498-20-12						0.38
1 1/2	3/4	B4977-12		B4498-24-12		B3678-8	B3678-8-1	1/2-20	6	0.42
	1			B4498-24-16						0.52
2	1	B4977-16		B4498-32-16		B3678-10	B3678-10- 1	5/8-18	9	0.62
	1 1/4			B4498-32-20						0.75
2 1/4	1	B4977-20		B4498-36-20		B3678-12	B3678-12- 1	3/4-16	14	0.95
	1 1/2			B4498-36-24						1.1
2 7/8	1 1/4	B4977-24		B4498-46-24		B3673-16	B3673-16- 1	7/8-14	23	1.35
	2			B4498-46-32						1.74

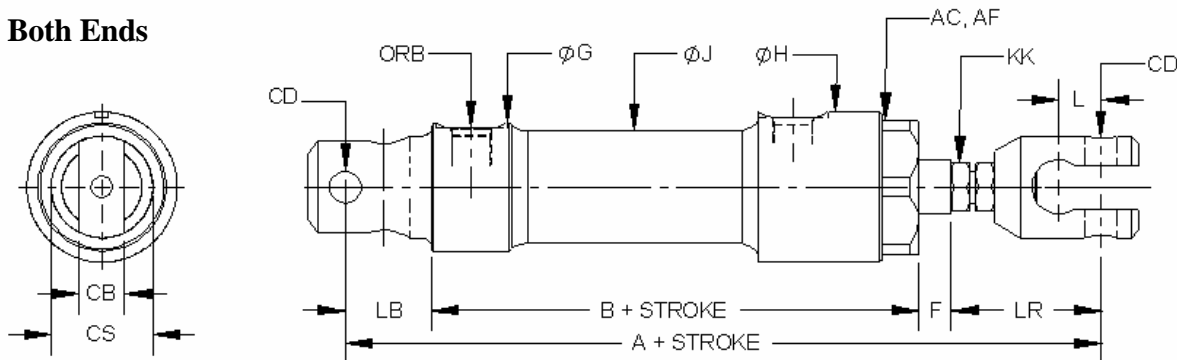
## Series SS Cylinder

### Spherical Both Ends



DASH	Bore	Rod Sizes		A	B	LS	F	G	H	J	ORB	AF	AC	KK THD MAX	CD (mm)	CN (mm)	CW (mm)
		STD	O'SIZE														
-10	0.96	1/2	5/8	5.56	3.56	1.00	0.31	1.50	1.75	1.32	#4	1.56	1.69	M8x2	8	9	12
-13	1.28	5/8	3/4	6.56	3.94	1.31	0.44	1.94	2.13	1.66	#4	1.81	2.00	M12x2	12	12	16
-15	1.50	3/4	1	7.75	4.50	1.63	0.44	2.19	2.47	1.90	#6	1.84	1.97	M16x2	17	15	21
-19	1.94	1	1 1/4	8.63	5.00	1.81	0.50	2.69	2.97	2.38	#6	2.50	2.69	M20x2	20	18	25
-23	2.33	1	1 1/2	9.81	5.56	2.13	0.50	3.13	3.44	2.88	#8	2.75	2.94	M24x2	25	22	31
-29	2.90	1 1/4	2	10.94	6.19	2.38	0.50	3.75	4.19	3.50	#8	3.50	3.88	M30x2	30	25	37

### Clevis Both Ends



DASH	Bore	Rod Sizes		KK THD MAX	CD	A	B	F	LB	LR	G	H	J	ORB	AF	AC	CS	CB	L
		STD	O'SIZE																
-10	0.96	1/2	5/8	3/8 -24	3/8	5.81	3.13	0.31	1.00	1.69	1.50	1.75	1.32	#4	1.56	1.69	1.19	0.52	0.50
-13	1.28	5/8	3/4	7/16 -20	7/16	6.69	3.44	0.44	1.19	2.06	1.94	2.13	1.66	#4	1.81	2.00	1.31	0.66	0.63
-15	1.50	3/4	1	1/2 -20	1/2	7.56	3.94	0.44	1.31	2.31	2.19	2.47	1.90	#6	1.84	1.97	1.47	0.69	0.69
-19	1.94	1	1 1/4	5/8 -18	5/8	8.56	4.38	0.50	1.50	2.69	2.69	2.97	2.38	#6	2.50	2.69	1.69	0.78	0.75
-23	2.33	1	1 1/2	3/4 -16	3/4	9.44	4.88	0.50	1.63	2.94	3.13	3.44	2.88	#8	2.75	2.94	1.97	0.94	0.94
-29	2.90	1 1/4	2	1 -14	1	10.75	5.44	0.50	1.88	3.44	3.75	4.19	3.50	#8	3.50	3.88	2.47	1.13	1.00