



## Code 62 4-Bolt Elbows

O'Ring Boss

National Pipe Thread

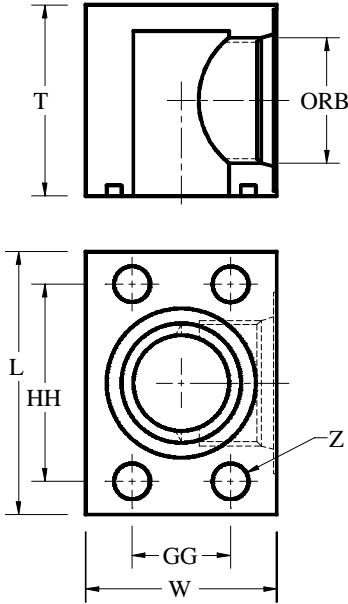
Socket Weld Pipe

Socket Weld Tube

4-Bolt Flange



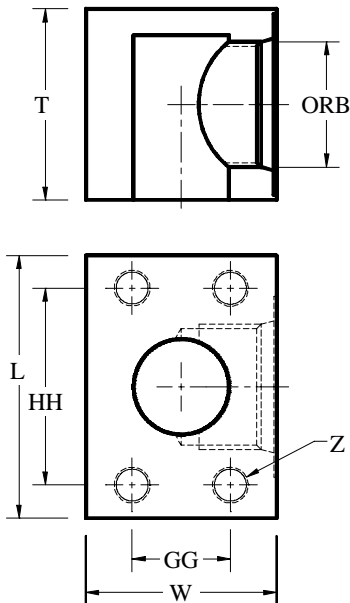
## O'Ring Boss (ORB) / Code 62 Elbow



### O'Ring Boss (ORB) / Code 62 O'Ring Face Elbow

Code 62 Part No.	ORB Size	Flange Size	Z	GG	HH	W	L	T
1842-08-08	#8 (3/4"-16)	1/2"	11/32	0.718	1.574	1.75	2.22	1.75
1842-12-12	#12 (1-1/16"-12)	3/4"	13/32	0.937	2.000	2.00	2.81	2.00
1842-12-16	#12 (1-1/16"-12)	1.00"	15/32	1.093	2.250	2.50	3.19	2.50
1842-16-16	#16 (1-5/16"-12)	1.00"	15/32	1.093	2.250	2.50	3.19	2.50
1842-16-20	#16 (1-5/16"-12)	1.25"	17/32	1.250	2.625	3.00	3.75	3.00
1842-20-20	#20 (1-5/8"-12)	1.25"	17/32	1.250	2.625	3.00	3.75	3.00
1842-20-24	#20 (1-5/8"-12)	1.50"	21/32	1.437	3.125	3.50	4.44	3.50
1842-24-24	#24 (1-7/8"-12)	1.50"	21/32	1.437	3.125	3.50	4.44	3.50
1842-24-32	#24 (1-7/8"-12)	2.00"	25/32	1.750	3.912	4.00	5.25	4.00
1842-32-32	#32 (2.50"-12)	2.00"	25/32	1.750	3.912	4.00	5.25	4.00

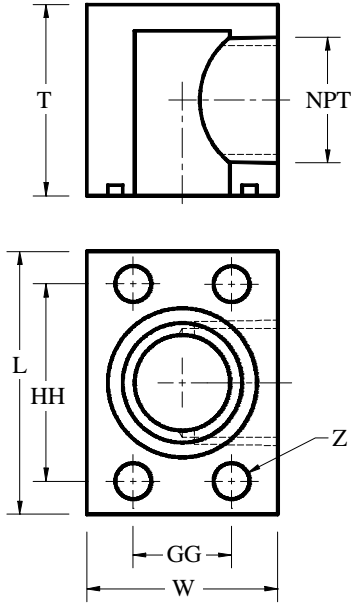
*c/w Hex Head Mounting Kit*



### O'Ring Boss (ORB) / Code 62 Companion Face Elbow

Code 62 Part No.	ORB Size	Flange Size	Z	GG	HH	W	L	T
1840-08-08	#8 (3/4"-16)	1/2"	5/16"-18	0.718	1.574	1.75	2.22	1.75
1840-12-12	#12 (1-1/16"-12)	3/4"	3/8"-16	0.937	2.000	2.00	2.81	2.00
1840-12-16	#12 (1-1/16"-12)	1.00"	7/16"-14	1.093	2.250	2.50	3.19	2.50
1840-16-16	#16 (1-5/16"-12)	1.00"	7/16"-14	1.093	2.250	2.50	3.19	2.50
1840-16-20	#16 (1-5/16"-12)	1.25"	1/2"-13	1.250	2.625	3.00	3.75	3.00
1840-20-20	#20 (1-5/8"-12)	1.25"	1/2"-13	1.250	2.625	3.00	3.75	3.00
1840-20-24	#20 (1-5/8"-12)	1.50"	5/8"-11	1.437	3.125	3.50	4.44	3.50
1840-24-24	#24 (1-7/8"-12)	1.50"	5/8"-11	1.437	3.125	3.50	4.44	3.50
1840-24-32	#24 (1-7/8"-12)	2.00"	3/4"-10	1.750	3.912	4.00	5.25	4.00
1840-32-32	#32 (2.50"-12)	2.00"	3/4"-10	1.750	3.912	4.00	5.25	4.00

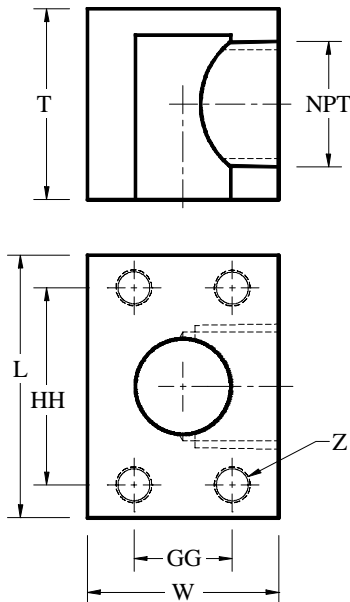
## National Pipe Thread (NPT) / Code 62 Elbow



### National Pipe Thread (NPT) / Code 62 O'Ring Face Elbow

Code 62 Part No.	NPT Size	Flange Size	Z	GG	HH	W	L	T
1846-08-08	1/2"-14	1/2"	11/32	0.718	1.574	1.75	2.22	1.75
1846-12-12	3/4"-14	3/4"	13/32	0.937	2.000	2.00	2.81	2.00
1846-12-16	3/4"-14	1.00"	15/32	1.093	2.250	2.50	3.19	2.50
1846-16-16	1"-11.5	1.00"	15/32	1.093	2.250	2.50	3.19	2.50
1846-16-20	1"-11.5	1.25"	17/32	1.250	2.625	3.00	3.75	3.00
1846-20-20	1.25"-11.5	1.25"	17/32	1.250	2.625	3.00	3.75	3.00
1846-20-24	1.25"-11.5	1.50"	21/32	1.437	3.125	3.50	4.44	3.50
1846-24-24	1.50"-11.5	1.50"	21/32	1.437	3.125	3.50	4.44	3.50
1846-24-32	1.50"-11.5	2.00"	25/32	1.750	3.912	4.00	5.25	4.00
1846-32-32	2.00"-11.5	2.00"	25/32	1.750	3.912	4.00	5.25	4.00

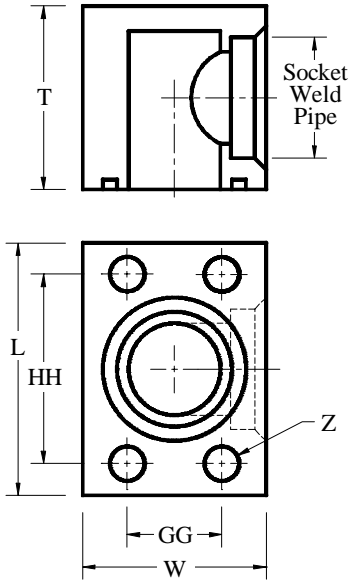
*c/w Hex Head Mounting Kit*



### National Pipe Thread (NPT) / Code 62 Companion Face Elbow

Code 62 Part No.	NPT Size	Flange Size	Z	GG	HH	W	L	T
1844-08-08	1/2"-14	1/2"	5/16"-18	0.718	1.574	1.75	2.22	1.75
1844-12-12	3/4"-14	3/4"	3/8"-16	0.937	2.000	2.00	2.81	2.00
1844-12-16	3/4"-14	1.00"	7/16"-14	1.093	2.250	2.50	3.19	2.50
1844-16-16	1"-11.5	1.00"	7/16"-14	1.093	2.250	2.50	3.19	2.50
1844-16-20	1"-11.5	1.25"	1/2"-13	1.250	2.625	3.00	3.75	3.00
1844-20-20	1.25"-11.5	1.25"	1/2"-13	1.250	2.625	3.00	3.75	3.00
1844-20-24	1.25"-11.5	1.50"	5/8"-11	1.437	3.125	3.50	4.44	3.50
1844-24-24	1.50"-11.5	1.50"	5/8"-11	1.437	3.125	3.50	4.44	3.50
1844-24-32	1.50"-11.5	2.00"	3/4"-10	1.750	3.912	4.00	5.25	4.00
1844-32-32	2.00"-11.5	2.00"	3/4"-10	1.750	3.912	4.00	5.25	4.00

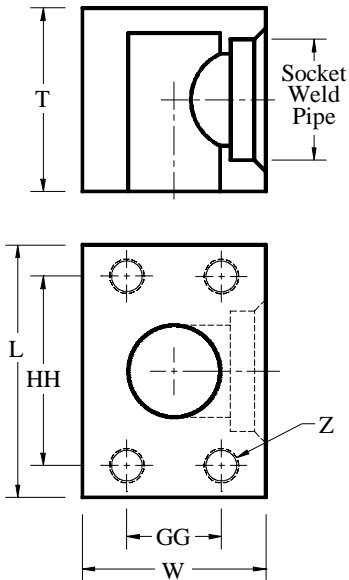
## Socket Weld Pipe (SWP) / Code 62 Elbow



### Socket Weld Pipe (SWP) / Code 62 O'Ring Face Elbow

Code 62 Part No.	SWP Size	Flange Size	Z	GG	HH	W	L	T
1834-08-08	1/2" (0.845)	1/2"	11/32	0.718	1.574	1.75	2.22	1.75
1834-12-12	3/4" (1.055)	3/4"	13/32	0.937	2.000	2.00	2.81	2.00
1834-12-16	3/4" (1.055)	1.00"	15/32	1.093	2.250	2.50	3.19	2.50
1834-16-16	1.00" (1.320)	1.00"	15/32	1.093	2.250	2.50	3.19	2.50
1834-16-20	1.00" (1.320)	1.25"	17/32	1.250	2.625	3.00	3.75	3.00
1834-20-20	1.25" (1.670)	1.25"	17/32	1.250	2.625	3.00	3.75	3.00
1834-20-24	1.25" (1.670)	1.50"	21/32	1.437	3.125	3.50	4.44	3.50
1834-24-24	1.50" (1.910)	1.50"	21/32	1.437	3.125	3.50	4.44	3.50
1834-24-32	1.50" (1.910)	2.00"	25/32	1.750	3.912	4.00	5.25	4.00
1834-32-32	2.00" (2.385)	2.00"	25/32	1.750	3.912	4.00	5.25	4.00

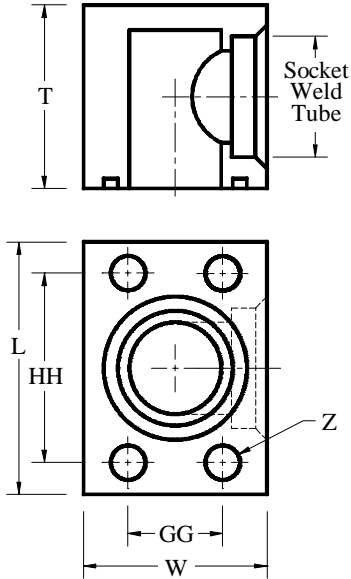
*c/w Hex Head Mounting Kit*



### Socket Weld Pipe (SWP) / Code 62 Companion Face Elbow

Code 62 Part No.	SWP Size	Flange Size	Z	GG	HH	W	L	T
1832-08-08	1/2" (0.845)	1/2"	5/16"-18	0.718	1.574	1.75	2.22	1.75
1832-12-12	3/4" (1.055)	3/4"	3/8"-16	0.937	2.000	2.00	2.81	2.00
1832-12-16	3/4" (1.055)	1.00"	7/16"-14	1.093	2.250	2.50	3.19	2.50
1832-16-16	1.00" (1.320)	1.00"	7/16"-14	1.093	2.250	2.50	3.19	2.50
1832-16-20	1.00" (1.320)	1.25"	1/2"-13	1.250	2.625	3.00	3.75	3.00
1832-20-20	1.25" (1.670)	1.25"	1/2"-13	1.250	2.625	3.00	3.75	3.00
1832-20-24	1.25" (1.670)	1.50"	5/8"-11	1.437	3.125	3.50	4.44	3.50
1832-24-24	1.50" (1.910)	1.50"	5/8"-11	1.437	3.125	3.50	4.44	3.50
1832-24-32	1.50" (1.910)	2.00"	3/4"-10	1.750	3.912	4.00	5.25	4.00
1832-32-32	2.00" (2.385)	2.00"	3/4"-10	1.750	3.912	4.00	5.25	4.00

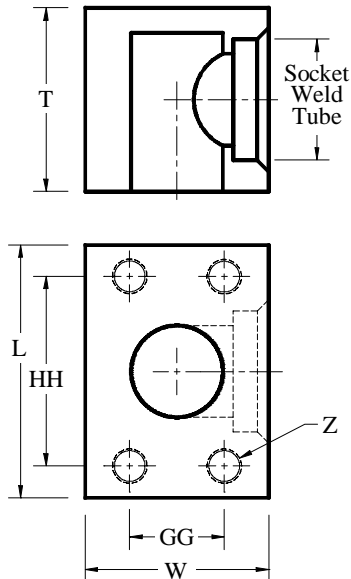
## Socket Weld Tube (SWT) / Code 62 Elbow



### Socket Weld Tube (SWT) / Code 62 O'Ring Face Elbow

Code 62 Part No.	SWT Size	Flange Size	Z	GG	HH	W	L	T
1838-08-08	1/2" (0.505)	1/2"	11/32	0.718	1.574	1.75	2.22	1.75
1838-12-12	3/4" (0.755)	3/4"	13/32	0.937	2.000	2.00	2.81	2.00
1838-12-16	3/4" (0.755)	1.00"	15/32	1.093	2.250	2.50	3.19	2.50
1838-16-16	1.00" (1.005)	1.00"	15/32	1.093	2.250	2.50	3.19	2.50
1838-16-20	1.00" (1.005)	1.25"	17/32	1.250	2.625	3.00	3.75	3.00
1838-20-20	1.25" (1.255)	1.25"	17/32	1.250	2.625	3.00	3.75	3.00
1838-20-24	1.25" (1.255)	1.50"	21/32	1.437	3.125	3.50	4.44	3.50
1838-24-24	1.50" (1.510)	1.50"	21/32	1.437	3.125	3.50	4.44	3.50
1838-28-24	1.75" (1.760)	1.50"	21/32	1.437	3.125	3.50	4.44	3.50
1838-24-32	1.50" (1.510)	2.00"	25/32	1.750	3.912	4.00	5.25	4.00
1838-28-32	1.75" (1.760)	2.00"	25/32	1.750	3.912	4.00	5.25	4.00
1838-32-32	2.00" (2.010)	2.00"	25/32	1.750	3.912	4.00	5.25	4.00

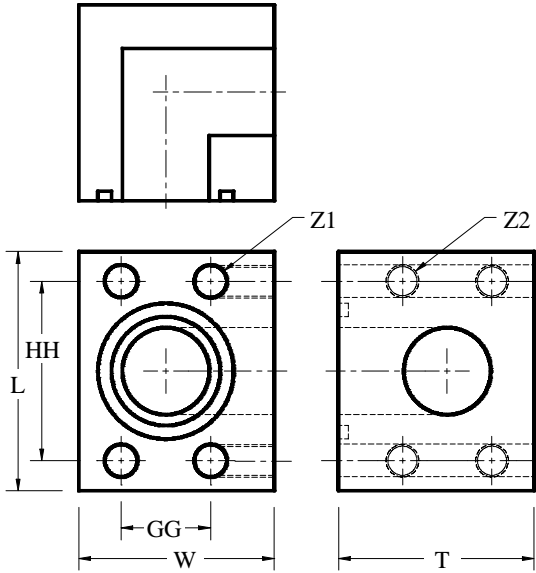
*c/w Hex Head Mounting Kit*



### Socket Weld Tube (SWT) / Code 62 Companion Face Elbow

Code 62 Part No.	SWT Size	Flange Size	Z	GG	HH	W	L	T
1836-08-08	1/2" (0.505)	1/2"	5/16"-18	0.718	1.574	1.75	2.22	1.75
1836-12-12	3/4" (0.755)	3/4"	3/8"-16	0.937	2.000	2.00	2.81	2.00
1836-12-16	3/4" (0.755)	1.00"	7/16"-14	1.093	2.250	2.50	3.19	2.50
1836-16-16	1.00" (1.005)	1.00"	7/16"-14	1.093	2.250	2.50	3.19	2.50
1836-16-20	1.00" (1.005)	1.25"	1/2"-13	1.250	2.625	3.00	3.75	3.00
1836-20-20	1.25" (1.255)	1.25"	1/2"-13	1.250	2.625	3.00	3.75	3.00
1836-20-24	1.25" (1.255)	1.50"	5/8"-11	1.437	3.125	3.50	4.44	3.50
1836-24-24	1.50" (1.510)	1.50"	5/8"-11	1.437	3.125	3.50	4.44	3.50
1836-28-24	1.75" (1.760)	1.50"	5/8"-11	1.437	3.125	3.50	4.44	3.50
1836-24-32	1.50" (1.510)	2.00"	3/4"-10	1.750	3.912	4.00	5.25	4.00
1836-28-32	1.75" (1.760)	2.00"	3/4"-10	1.750	3.912	4.00	5.25	4.00
1836-32-32	2.00" (2.010)	2.00"	3/4"-10	1.750	3.912	4.00	5.25	4.00

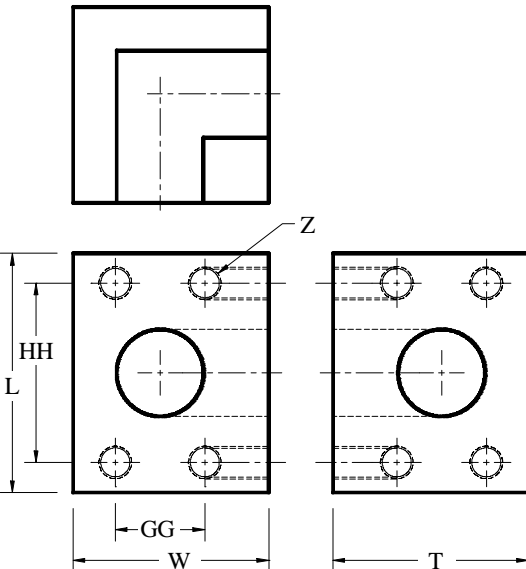
## Code 62 / Code 62 Elbow



Code 62 Companion Face / O'Ring Face Elbow

Part No.	Code 62 Comp	Code 62 ORF	Z1	Z2	GG	HH	W	L	T
2594-08-08	1/2"	1/2"	11/32	11/32	0.718	1.574	2.00	2.25	2.00
2594-12-12	3/4"	3/4"	13/32	13/32	0.937	2.000	2.50	2.81	2.50
2594-16-16	1.00"	1.00"	15/32	15/32	1.093	2.250	3.00	3.00	2.50
2594-20-20	1.25"	1.25"	17/32	17/32	1.250	2.625	3.00	3.75	3.00
2594-24-24	1.50"	1.50"	21/32	21/32	1.437	3.125	3.50	4.44	3.50
2594-32-32	2.00"	2.00"	25/32	25/32	1.750	3.912	4.00	5.25	4.00

*c/w Hex Head Mounting Kit*



Code 62 Companion Face / Companion Face Elbow

Part No.	Code 62 Comp	Code 62 Comp	Z	GG	HH	W	L	T
2593-08-08	1/2"	1/2"	5/16"-18	0.718	1.574	2.00	2.25	2.00
2593-12-12	3/4"	3/4"	3/8"-16	0.937	2.000	2.50	2.81	2.50
2593-16-16	1.00"	1.00"	7/16"-14	1.093	2.250	3.00	3.00	2.50
2593-20-20	1.25"	1.25"	1/2"-13	1.250	2.625	3.00	3.75	3.00
2593-24-24	1.50"	1.50"	5/8"-11	1.437	3.125	3.50	4.44	3.50
2593-32-32	2.00"	2.00"	3/4"-10	1.750	3.912	4.00	5.25	4.00